

Axis Cabinetry



Drawer Mobile

Code: AM-

Various drawer mobile options available



Cushion Tops

Code: AMC-

Add a cushion top for the Drawer Mobiles & Mobile Caddy's



Steel Drawer Mobile

Code: AMS-



Mobile Caddy

With open shelving

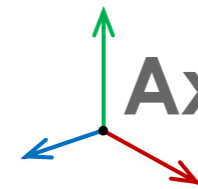
Code: AMC-



Mobile Caddy

With Tambour door front

Code: AMC-



Axis Workstation Solutions

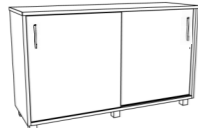
Fixed and Adjustable Height Options



Credenza

Hinged doors

Code: AC-



Credenza

Sliding doors

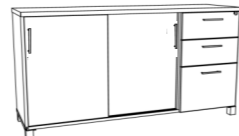
Code: AC-



Credenza

Hinged doors with drawers

Code: AC-



Credenza

Sliding doors with drawers

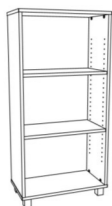
Code: AC-



Hutch

Code: AHU-

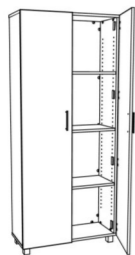
Various hutch options available. Hutches can be placed on top of Credenzas or Workstations



Bookcase

Code: ABC-

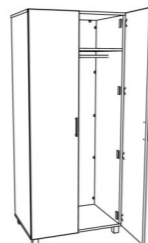
Various bookcase options available



Cupboard

Code: ACU-

Various Cupboard options available



Wardrobe

Code: AWA-

Various Wardrobe options available



- Silver Square Feet
- Square Chrome Handle



Fixed Height

Making your work space a better place



Adjustable Height

• Refer to price lists for more options

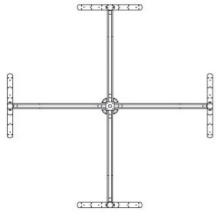


11 Carnegie Road
 Onekawa
 Napier
 Ph 06 8355800
 E sales@pollett.co.nz

Fixed Height Frames



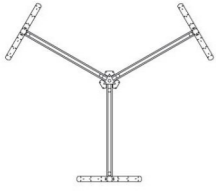
4 WAY 90° CONFIGURATION



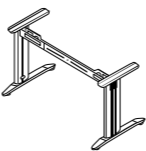
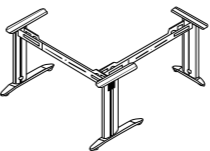
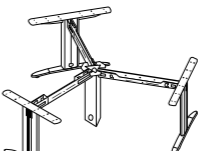
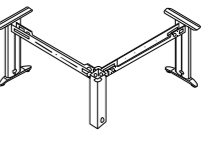
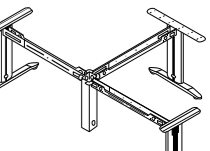
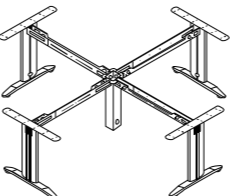
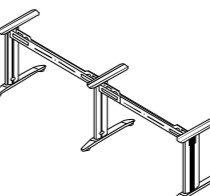
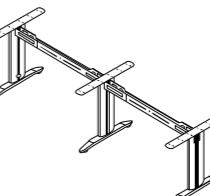
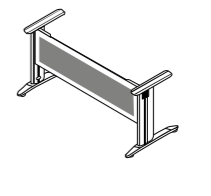
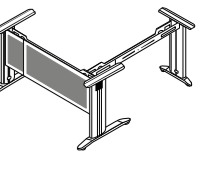
4 way and 3 way configurations are standard layouts in most of today's modern offices. These configurations can be easily added to, and reconfigured, when changes to space utilization is required. Pinnable and acoustic screen partitions are available in various heights depending on the users' need for privacy.



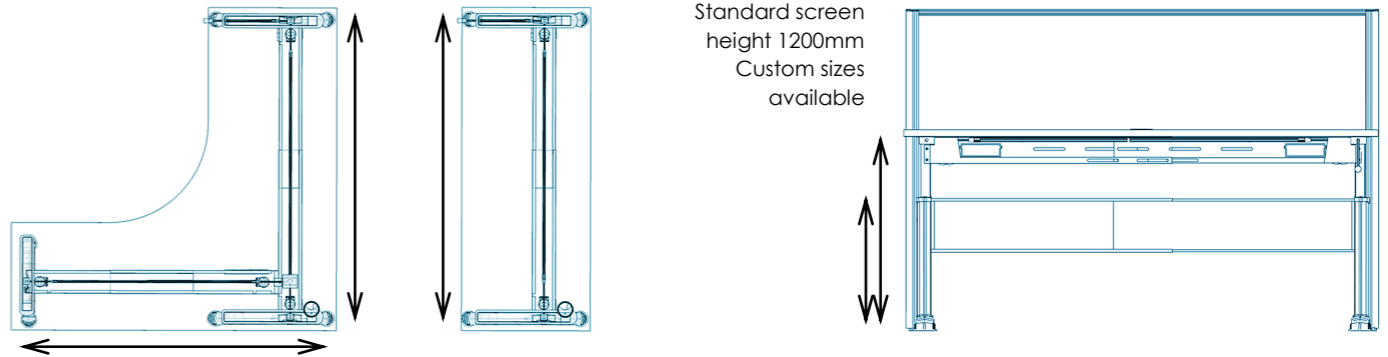
3 WAY 120° CONFIGURATION



Typical Configurations

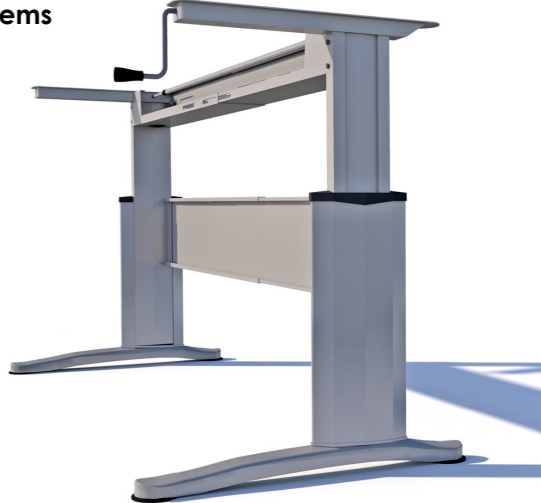
 Straight Desk Width 1100 - 2200 Depth 700 - 800 Height 720	 Single 90° Corner Workstation Width 1200 - 2200 Depth 700 - 800 Height 720	 3 Way 120° Configuration Width 1200 - 2200 Depth 700 - 800 Height 720	 Pod 90° Corner Workstation Width 1000 - 2000 Depth 600 - 700 Height 720	 Corner 90° Tee Configuration Width 1000 - 2000 Depth 700 - 800 Height 720
 4 Way 90° Configuration Width 1000 - 2000 Depth 700 - 800 Height 720	 Single Bench Width 1100 - 2000 Depth 700 - 800 Height 720	 4 Way Double Bench Width 1100 - 2000 Depth 600 - 1400 Height 720	 Desk with Steel or Meltaca Modesty Width 1100 - 2200 Depth 700 - 800 Height 720	 90° Workstation with Steel or Meltaca Modesty Width 1200 - 2200 Depth 700 - 800 Height 720

Height Adjustable Specifications


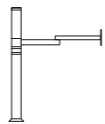
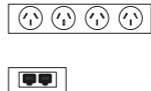


Steel frame design facilitates assembly of either USER or ELECTRIC adjust systems

- Fixed Height Option
- Tech-Adjust Option
- Wind-Up Adjustment Option
- Electric Height Adjust Option



Accessories

 Screens and Pinboards Various size and colour options available	 Monitor Arms Various options available	 Power and Data Various options available
---	--	--

Electrical Accessories

STARTER SOCKETS

The connecting devices most commonly used to connect the modular soft wiring to the fixed wiring of the building. This type of connector is small enough for use in most ducted wall skirting, inside partitions or screens and similar positions where space is limited and a surface mounted wall starter is not practical. Note: Starter Sockets must be installed by a licensed electrician.



POWER SOCKETS

A complete system of plug together outlets, wiring and distribution blocks. It provides a wide variety of configurations, outlet and mounting options. Simply plugs together on site. System and components comply with AS300, AS3001 and AS3131. Double insulated for safety installation 20A 250V system rating.



Qikfit Series

QD Series

PB Series

DESK TOP MODULES

These are a tidy solution for all power or data requirements in a variety of stylish designs.



Pluto

Pulse

Qiksilva

Puma

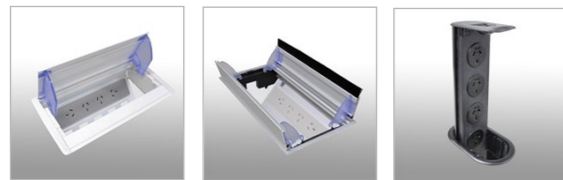
Polar

Pod

Poco

IN DESK BOXES

Provide an excellent solution for power and data communication requirements in desk tops.



Axxess

Tardis

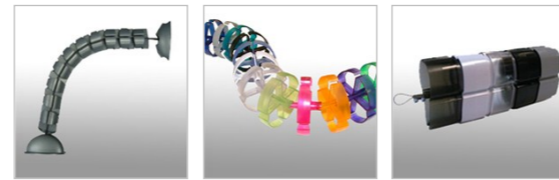
Power Tower



Pivot

UMBILICALS & MESSENGERS

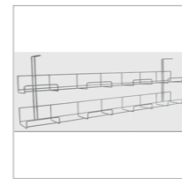
These are specifically designed to provide a neat and tidy solution to the problem of reticulating power and data cables.



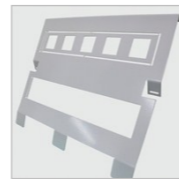
Spine

Superflex Maxi

Messenger



Cable Trays



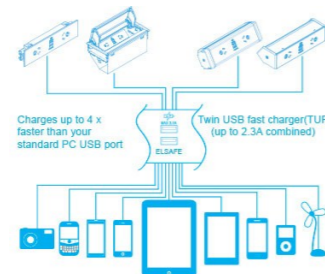
Basket Panels

USB CHARGERS

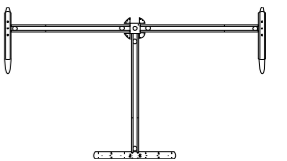
Twin USB Fast Charger (TUF) makes charging your device easier than ever. Fitted into one of the power and data modules the USB Fast Charge can charge up to 2 devices simultaneously and up to 4 X faster than a standard PC USB port. USB Fast Charger can be fitted in most power and data modules allowing the user with access to USB charging for their device. USB Fast Charge is specifically designed to work with Apple, Blackberry and Android mobile devices including: iPhone, iPad, Blackberry Bold and Nexus 7. USB Fast Charge will also charge most smartphones, as well as other USB powered devices such as cameras, GPS, MP3 players.



Pluto



Pixel



TEE CONFIGURATION

Colour or clear Perspex screens can be made to any size with square or rounded corners. Screens attach with a mounting bracket and create private space without losing the openness created by this structure.



Corner Workstation



Straight Desk



Mobile Tambour Units

BENCH CONFIGURATION

The Axis bench configuration maximises floor space and the frame construction allows the user to add more bench space as required.

Bench widths, lengths and shapes can vary depending on the client's requirement. The use of glass, fabric or Perspex screens creates an individual space; sound control and storage solutions is also an option.

Under-desk mobile storage units in melamine or steel provide access to files and drawers.





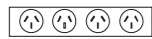
BOARDROOM & MEETING TABLES



User Handle-Adjust Frames



User Adjusted Frames with simple handle winding adjustment and integral cable beams with modesty panel.

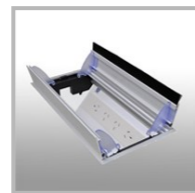


POWER & DATA SOLUTIONS

In desk boxes provide an excellent solution for power and data communication requirements in desk, meeting table and boardroom table tops. Various options are available to suit any requirement.



Axxess



Tardis



Power Tower



Pivot



Simple Crank Handle Height Adjustment

User-Adjust Height Range:

Minimum Height: 670mm
Maximum Height: 890mm



Tech-Adjust Frames



Tech-Adjust Height Range:

Minimum Height: 660mm

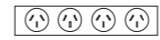
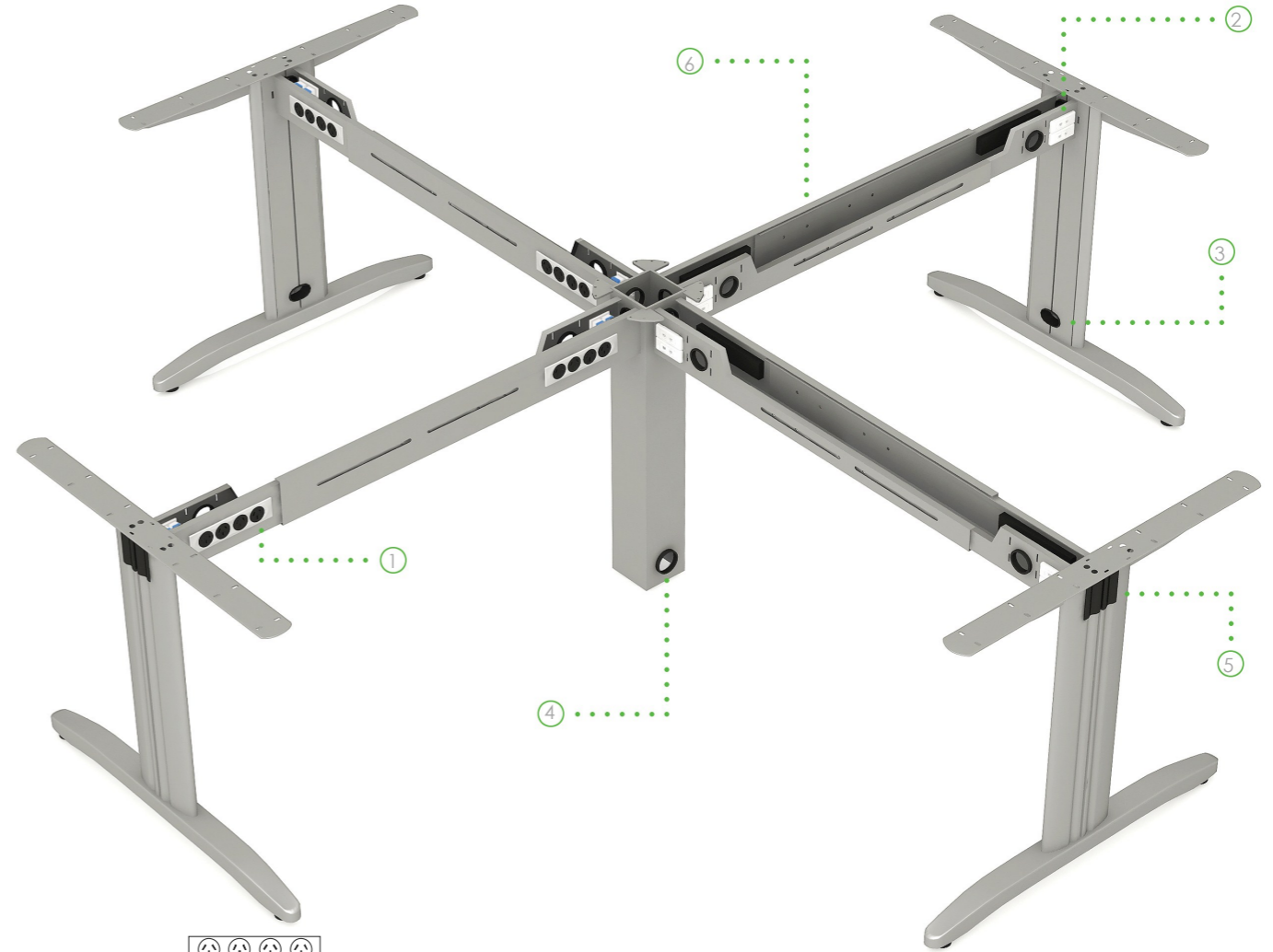
Maximum Height: 790mm



Tech-Adjust Frames with integral cable beams and modesty panel.



1. SOFTWARE QUAD POWER
2. 2 x DUAL DATA
3. CABLE ENTRY
4. CABLE ENTRY
5. CABLE ENTRY REMOVABLE CAP
6. EXTENDABLE BEAM



POWER & DATA SOLUTIONS

Under - desk and desk top modules provide an excellent solution for power and data communication requirements in desks and workstations. Various options are available to suit any requirement.



Qikfit Series



Pluto



Pulse



Qiksilva



Puma



Polar



Pod



Poco





Making your work space a better place

