





Sylex Ergonomics brings you a new range of contemporary office furniture that is extremely versatile, allowing a multitude of configurations which can be adapted to suit most general office layouts. SONNET combines contemporary production methods with high quality standards, thus producing an exceptional

product at a price well below custom manufacture. SONNET features 25mm tops over 18mm sides all finished with colour matched 2mm rigid ABS edging. Cam and dowel assembly makes the product suitable for cartonised "ready to assemble" delivery or if you prefer Sonnet can be assembled prior to shipment.



FISDKS189	Desk 1800w x 900d x 730h
FISDKS1575	Desk 1500w x 750d x 730h
FISDKB1810	Bow Front Desk 1800w x 1050d x 730h
FISDKS126	Desk with 2 drawer pedestal 1200w x 600d x 730h
FISCWS186	Corner workstation 1800w x 1800w x 600d x 730h
FISDKP21L	P-end Desk lefthand 2100w x 1050d x 730h
FISDKP21R	P-end Desk righthand 2100w x 1050d x 730h
FISR96	Desk Return 900w x 600d x 730h

* desks viewed from the user's side



FISCA189FD



FISCA189HD



FISBC18



FISBC12



FIS4DVF



FISMP2D1FL



FISFP1D1F



FIS3DVF



FISFP3D



FIS2DVF

FISMP2D1FL	Mobile Pedestal 2 Drawer + 1 file with lock
FISFP1D1F	Fixed Pedestal 1 Drawer + 1 file
FISFP3D	Fixed Pedestal 3 Drawer
FIS4DVF	4 Drawer file cabinet
FIS3DVF	3 Drawer file cabinet
FIS2DVF	2 Drawer file cabinet





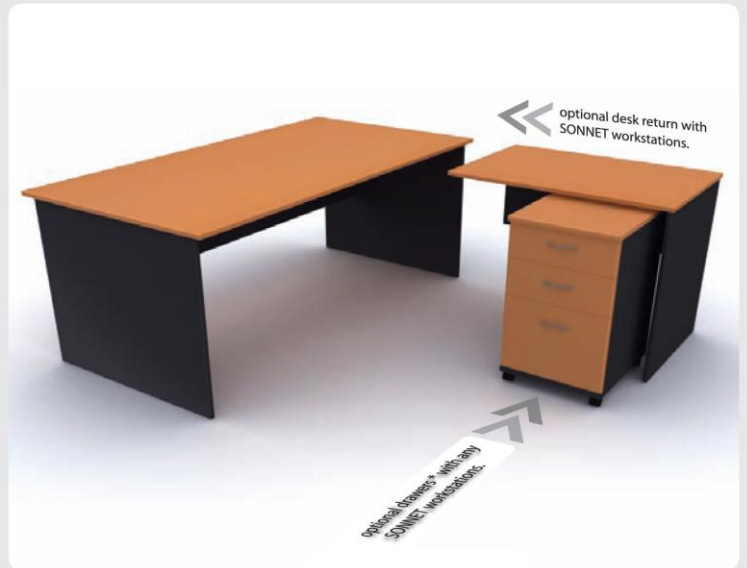
FISCRH12



FISCR126

FISCA189FD	Cabinet with full doors
FISCA189HD	Cabinet with half doors
FISBC18	Bookcase with 4 shelves
FISBC12	Bookcase with 3 shelves
FISCRH12	Hutch unit
FISCR126	Credenza

3D images below are suggested configurations to assist users visualise various combinations.

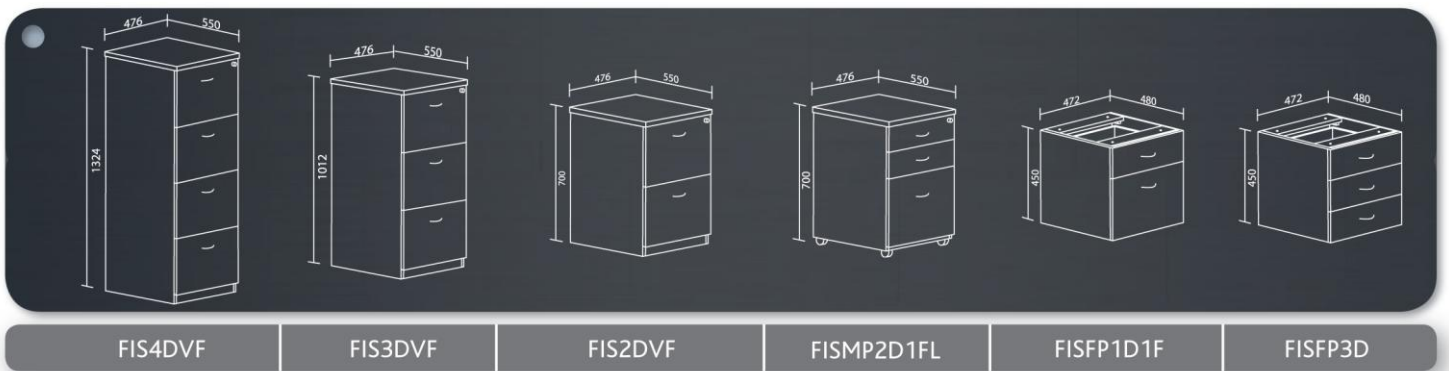
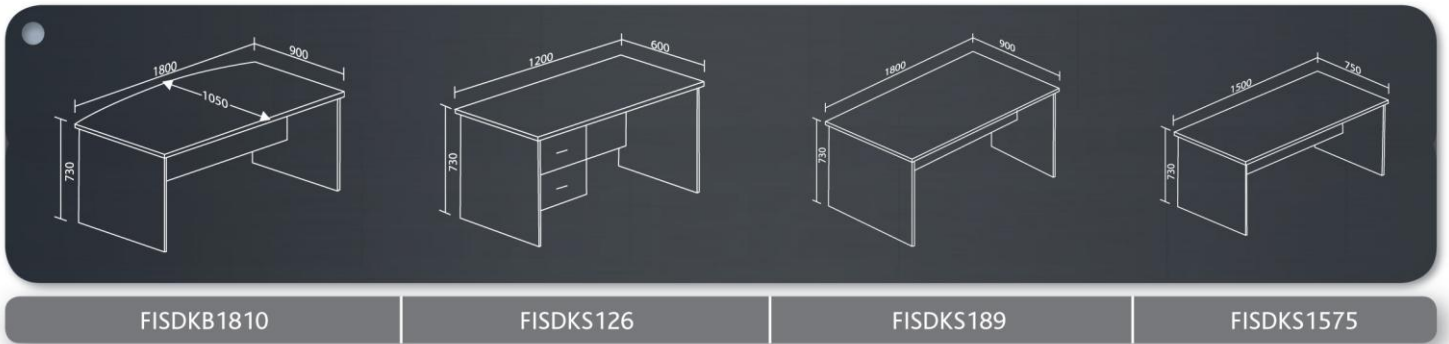
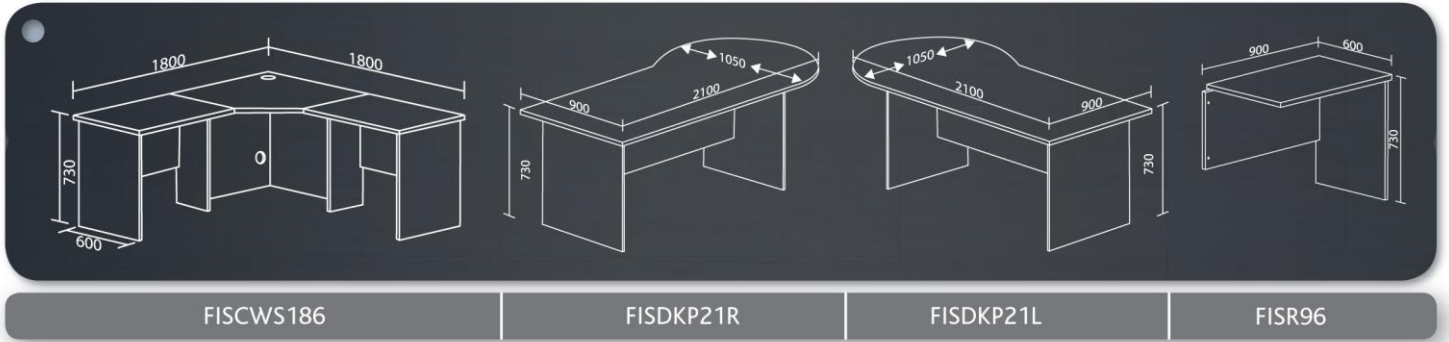


3D images are for demonstration purpose only and may differ slightly from the actual product.



* actual product colour may differ slightly
* sold separately

SONNET MEASUREMENT DRAWINGS



• All measurements are in millimeters